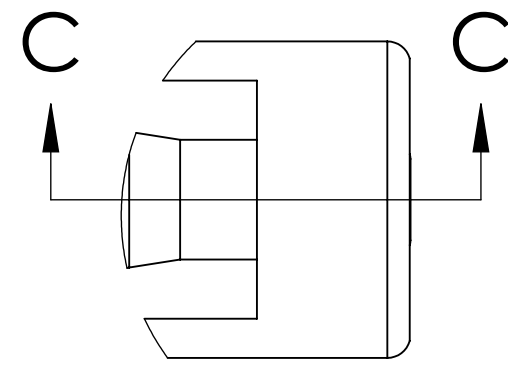
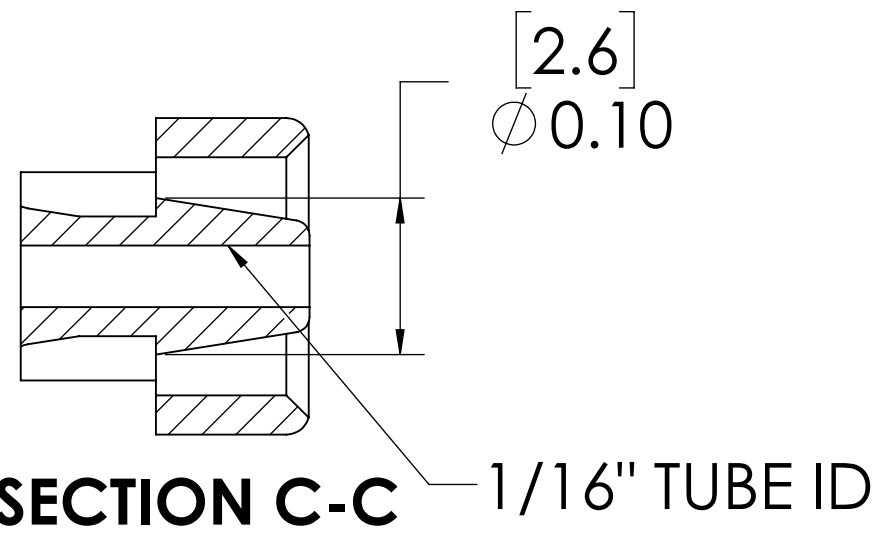


REVISIONS				DATE	APPROVED
SHEET	ZONE	REV.	ECO	DESCRIPTION	
1	ALL	A	50307	INITIAL RELEASE	HRC



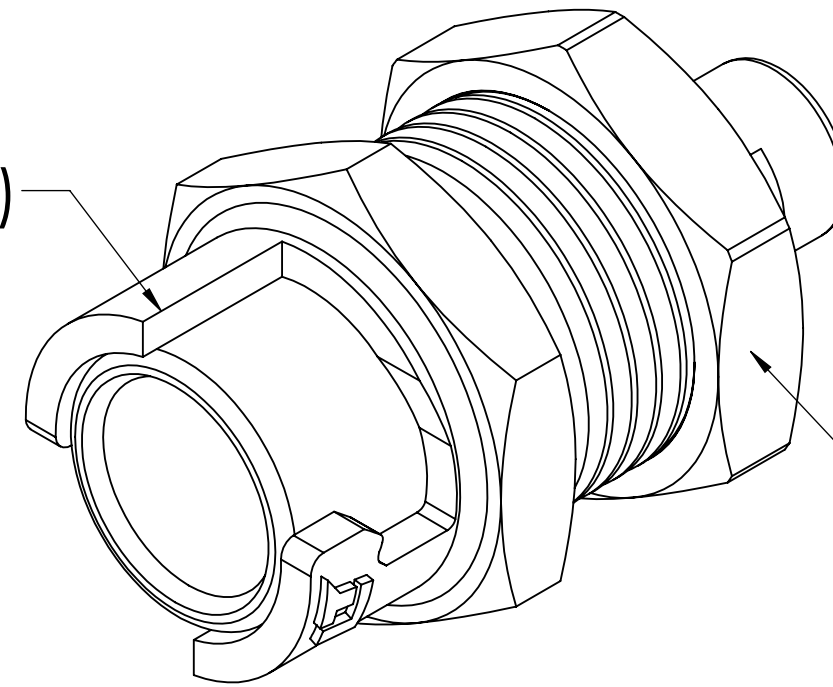
DETAIL B



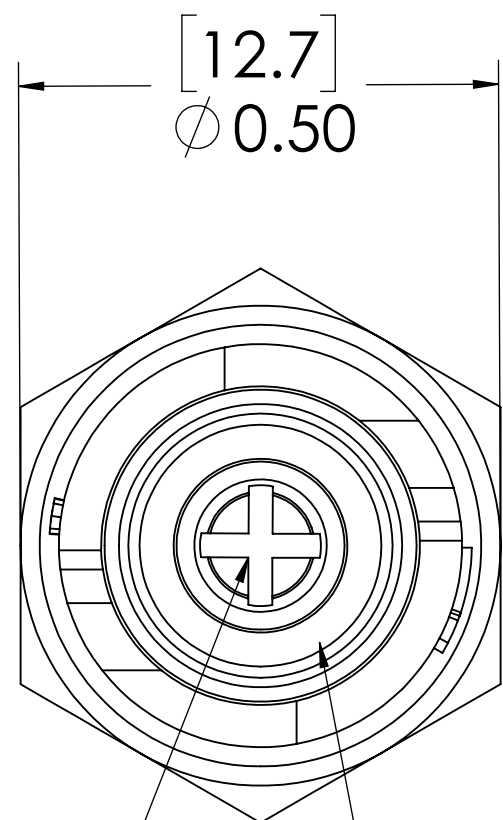
SECTION C-C

1/16" TUBE ID

SOCKET
(ACETAL)

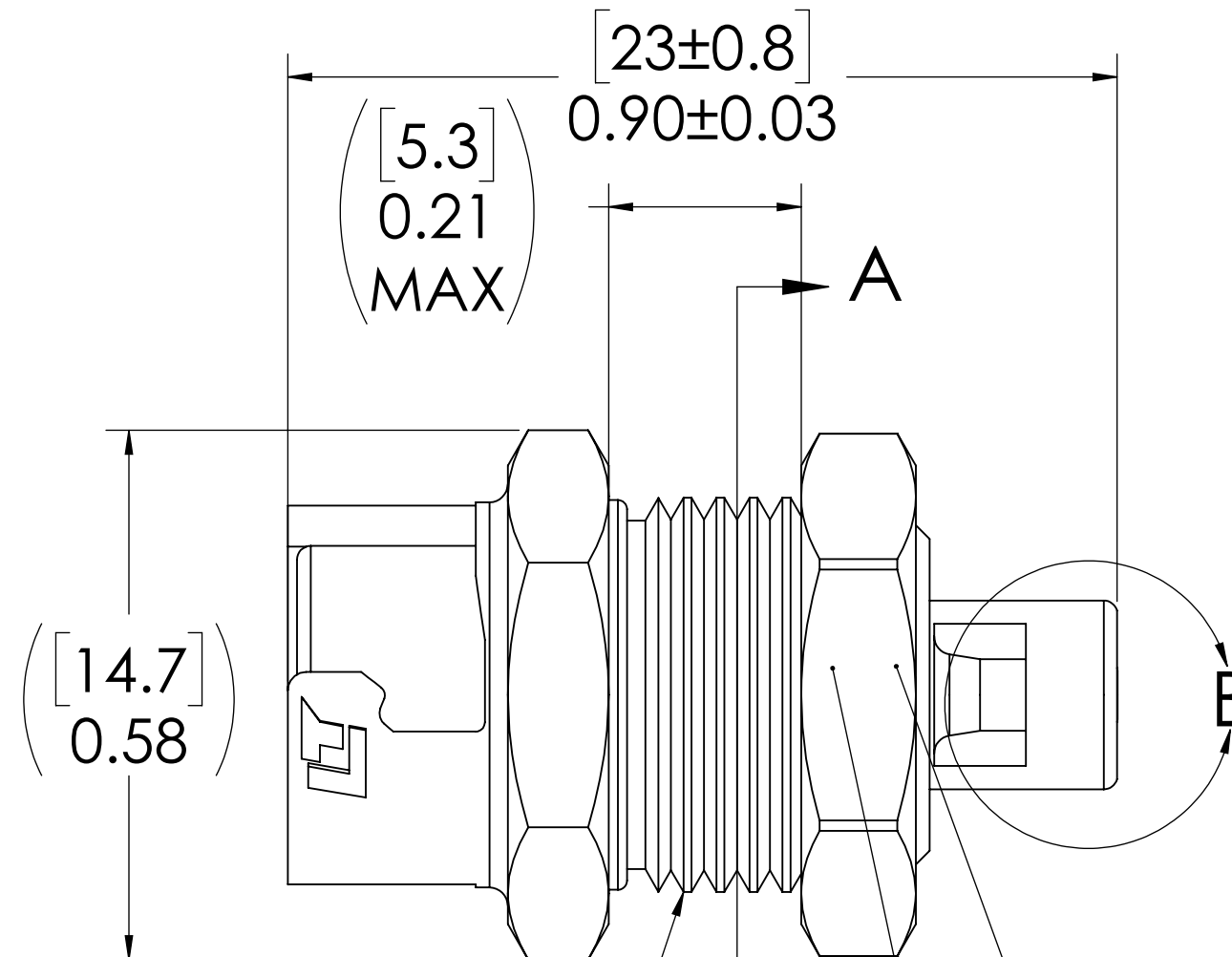


PANEL NUT
(BRASS, NICKEL PLATED)
(PACKAGED SEPARATELY)



VALVE
(ACETAL)

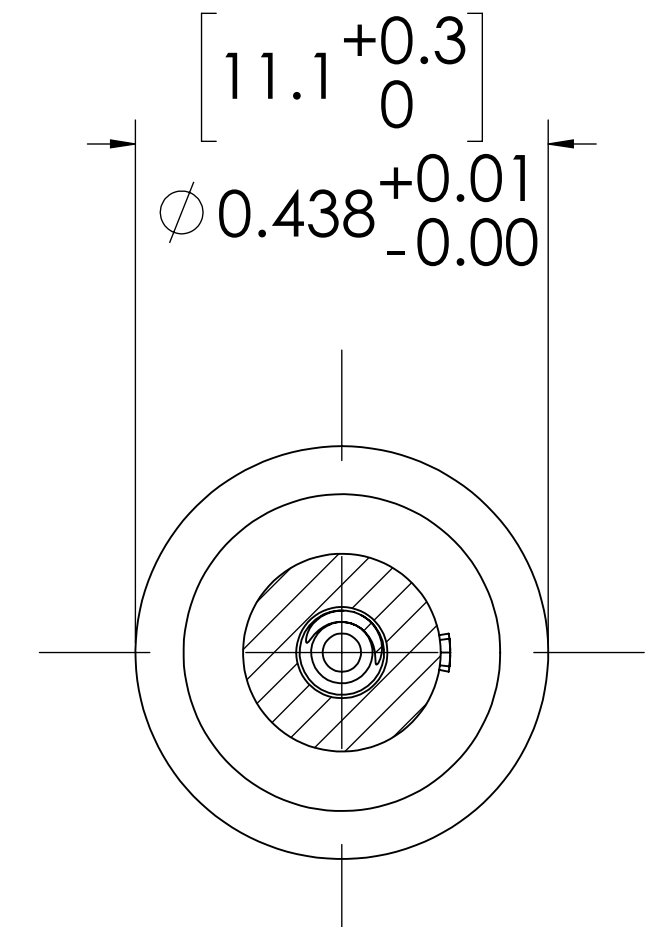
VALVE CAP
INTERNAL
(STAINLESS STEEL)



7/16"- 24 THREAD

VALVE O-RING
INTERNAL
(BUNA-N)

VALVE SPRING
INTERNAL
(ACETAL)



PANEL OPENING
(SECTION A-A)

NOTES:

- MATERIAL: ACETAL
- COLOR: BLACK
- O-RING MATERIAL: BUNA-N
- O-RINGS LUBRICATED WITH FOOD GRADE SILICONE OIL, 350 CST.

FOR REFERENCE ONLY

<small>UNLESS OTHERWISE SPECIFIED: DIMENSIONS ARE IN INCHES TOLERANCES: FRACTIONAL ± 1/32 ANGULAR, MACH ± 0.5 BEND ± 2 ONE PLACE DECIMAL ± 0.1 TWO PLACE DECIMAL ± 0.01 THREE PLACE DECIMAL ± 0.005 TWO PLACE DUAL (mm) [± 0.12]</small>	DRAWN	RDA	10/14/19	
	CHECKED	HRC	10/14/19	
	ENG APPR.	HRC	1/10/20	
	MFG APPR.	BDB	1/10/20	
PRODUCTION	LS	1/10/20		PART NO: 10ACV-SB3-01BLK DESCRIPTION: LinkTech 10AC Series Panel Mt. Female, Valved, 1/16" HB
<small>THE INFORMATION CONTAINED IN THIS DRAWING IS THE SOLE PROPERTY OF LINKTECH LLC. ANY REPRODUCTION OR DISCLOSURE IN PART OR AS A WHOLE WITHOUT THE WRITTEN PERMISSION OF LINKTECH LLC IS STRICTLY PROHIBITED.</small>	SIZE DWG. NO. REV C 10AC100107 A		SCALE: NTS WEIGHT: SHEET 1 OF 1	